

## Benefits HC-CARGO Bearings

Why use HC-CARGO bearings vs.  
traditional aftermarket bearings?

HC-CARGO bearings are exclusively designed, developed and tested in Germany to meet future OE standards and specifications.

HC-CARGO bearings are developed to fulfil all high requirements to modern cars, trucks, agriculture and marine applications.

HC-CARGO bearings are designed to perform under extreme conditions and with durability to match only the highest OE-Standards and lifetime requirements.

HC-CARGO bearings are superior to traditional aftermarket bearings.

HC-CARGO bearings are the best choice on price, quality and reliability

HC-CARGO bearings are chosen in our remanufacturing plants and by big rebuilder companies worldwide.



For your nearest HC-CARGO dealer  
and full program overview visit  
[www.hc-cargo.com](http://www.hc-cargo.com)



## High performance HC-CARGO Bearings

- meeting future OE Standard  
specifications today



14031 . Bearing\_01.2015

*Designed - Developed - Tested in Germany*

## HC-CARGO Bearings

HC-CARGO bearings are designed to meet present and future OE standard specifications and requirements.

Our bearings are developed to operate under higher temperatures, at higher speeds with less friction and ensure long lifetime.

All HC-CARGO bearings are the next generation high-end quality bearings designed and developed for rotating electric motors.

Modern combustion engines have been in constant evolution since the very beginning of motoring. Today engines are more powerful, quieter, more durable, less polluting and more fuel-efficient than ever before.

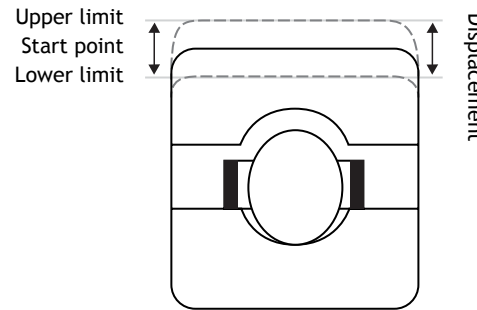


Requirements for high performance alternators and starter motors are constantly increasing. Alternators are being designed to fit in smaller engine compartments and to generate more power at less RPM, which results in higher operating temperatures.

Starter motors are optimized for more durability and long lifetime and start stop systems for more frequent starting.

## Technical Features

- Geometrical tolerance class P6 (DIN 620-2) and internal clearance group C3 (DIN 620-4)
- Optimized oscillation, improved raceway surfaces and reduced frictional torque
- Smooth running and low noise properties
- Excellent mechanical shear stability and kinematics



## Improved and optimized sealing:

- 3-lip (1-axial) light contact sealing
- Low friction at high speeds
- Less heat generation
- Reduced and improved grease retention
- Maximum protection from moisture and contaminants



## Grease:

- Synthetic oil + UREA
- High performance grease formulated for e.g. alternators and starters
- Long operating life
- Operating temperature range -40-+200°

## Packaging:

- Single piece and bulk packaging



Standard Bearing

Electric Motor Bearing Quality

Bearing

CNC-Spindle / Aerospace Bearing

Standard

Aftermarket Quality

High